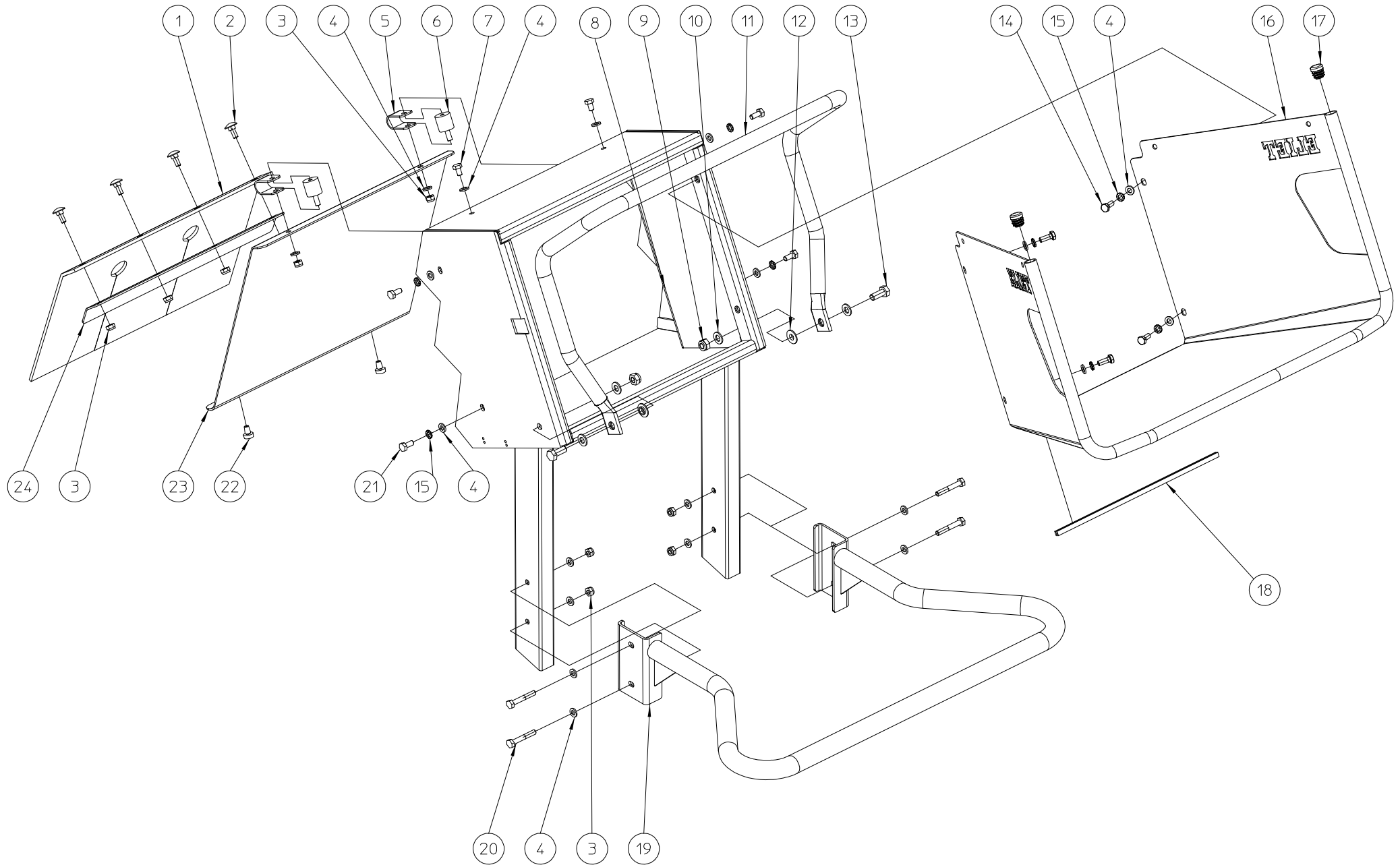


ELIET MAJOR 4S -- GENERAL

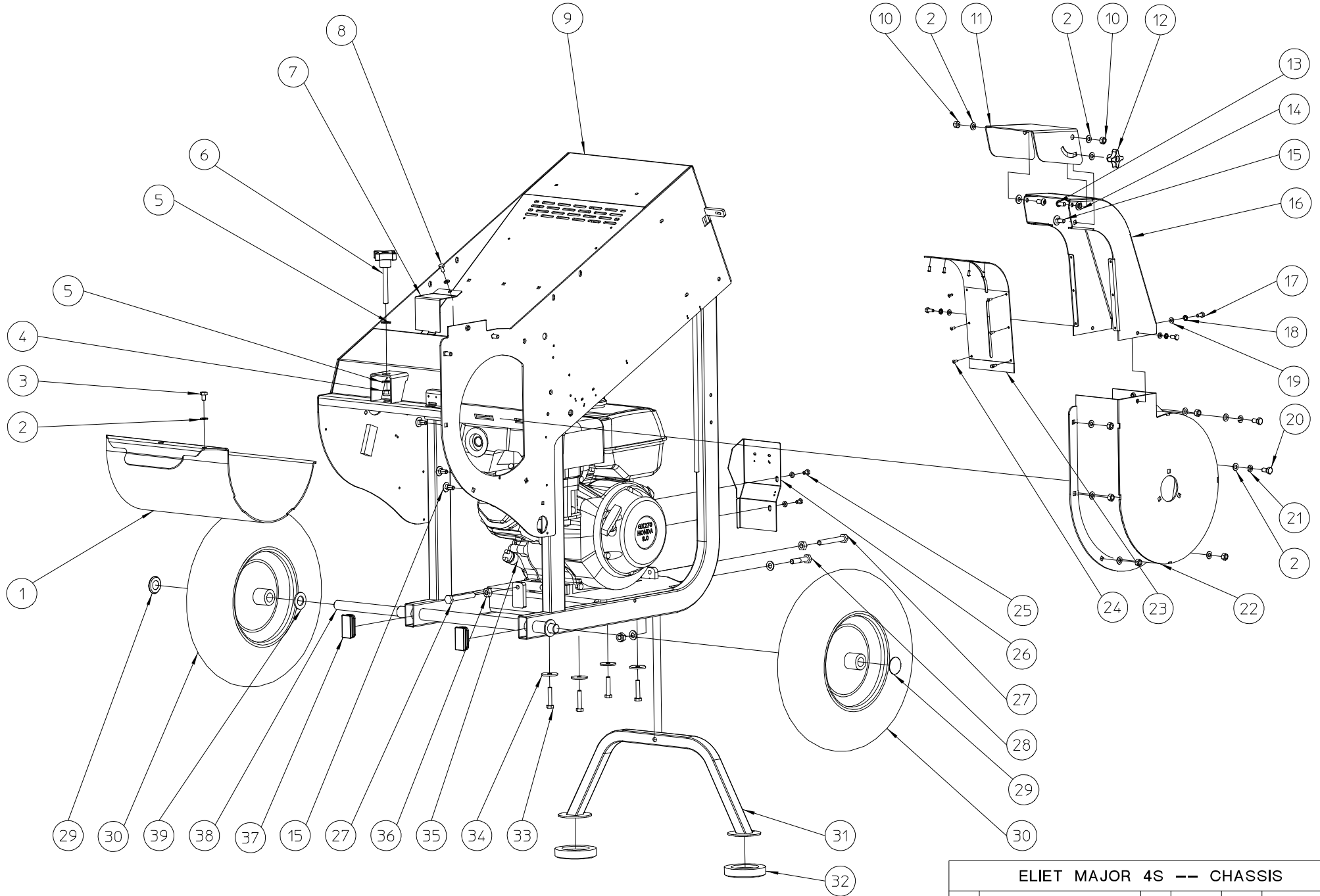
NO	MMA 01 041 100	REV	2	DATE	2014/01/24
----	----------------	-----	---	------	------------

#	Order nr	article description	quantity
1	MMA 01 041 110	machine front side	1
2	MMA 01 041 120	chassis	1
3	MMA 01 041 130	rotor	1
4	MMA 01 041 140	transmission	1
5	MMA 01 041 150	electrical system	1
6	MMA 01 041 160	rental kit	1
7	MMA 01 041 170	metal tank rental kit	1



ELIET MAJOR 4S -- MACHINE FRONT SIDE					
NO	MMA 01 041 110	REV	2	DATE	2015/11/04

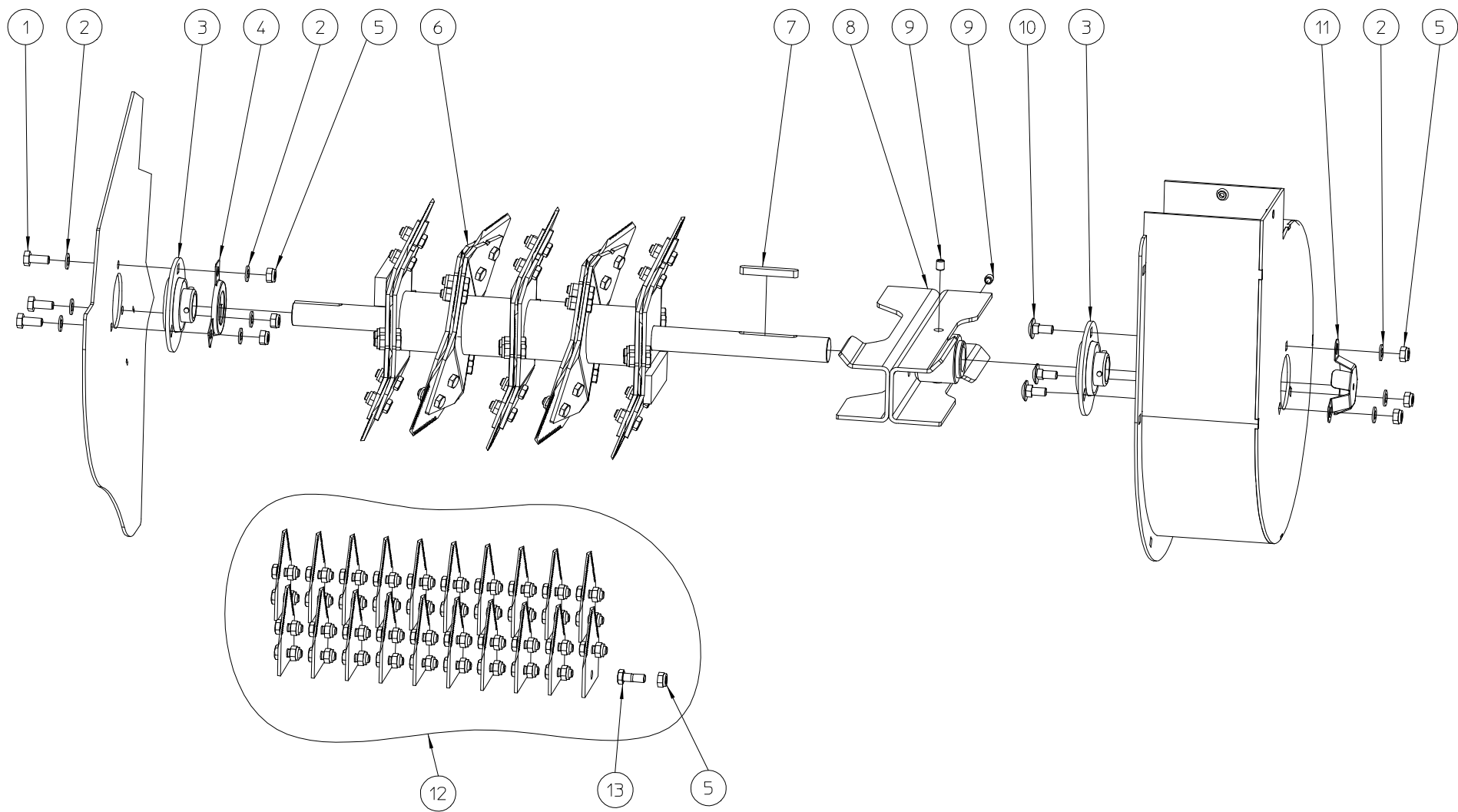
#	Order nr	article description	quantity
1	BR 900 001 220	rubber anti projection flap	1
2	BS 554 100 616	bolt m6x16 din 603	4
3	BS 502 000 600	self locking nut m6 din 985	10
4	BS 531 000 600	washer m6 din 125	20
5	BR 910 000 020	retainer ertalon 80x20x2	2
6	BR 600 220 200	antivibration blocks 20x20b m6x15	2
7	BS 512 000 610	bolt m6x10 din 933	2
8	MPA 01 041 280	safety plate	2
9	BS 502 000 800	self locking nut m8 din 985	2
10	BS 531 000 800	washer m8 din 125	4
11	MPA 01 040 040	safety handle	1
12	BR 112 080 300	nylon bushing with collar (8.2/10.9/18x3.5/1.5)	2
13	BS 512 000 820	bolt m8x20 din 933	2
14	BS 512 000 616	bolt m6x16 din 933	4
15	BS 534 000 600	lock washer m6 din 6798a	8
16	MPA 01 041 150	hopper major 4s	1
17	BR 020 501 160	tube plug 16 mm	2
18	BR 000 910 280	rubber u-moulding 280mm	1
19	MPA 01 040 021	handlebars - 2008	1
20	BS 511 000 640	bolt m6x40 din 931	4
21	BS 512 000 614	bolt m6x14 din 933	4
22	BR 602 006 151	rubber bumper	2
23	MPA 01 041 220	anti projection shield major 4s	1
24	MPA 01 040 220	retainer for rubber rubber flap	1



ELIET MAJOR 4S -- CHASSIS

NO	MMA 01 041 120	REV	2	DATE	2015/11/04
----	----------------	-----	---	------	------------

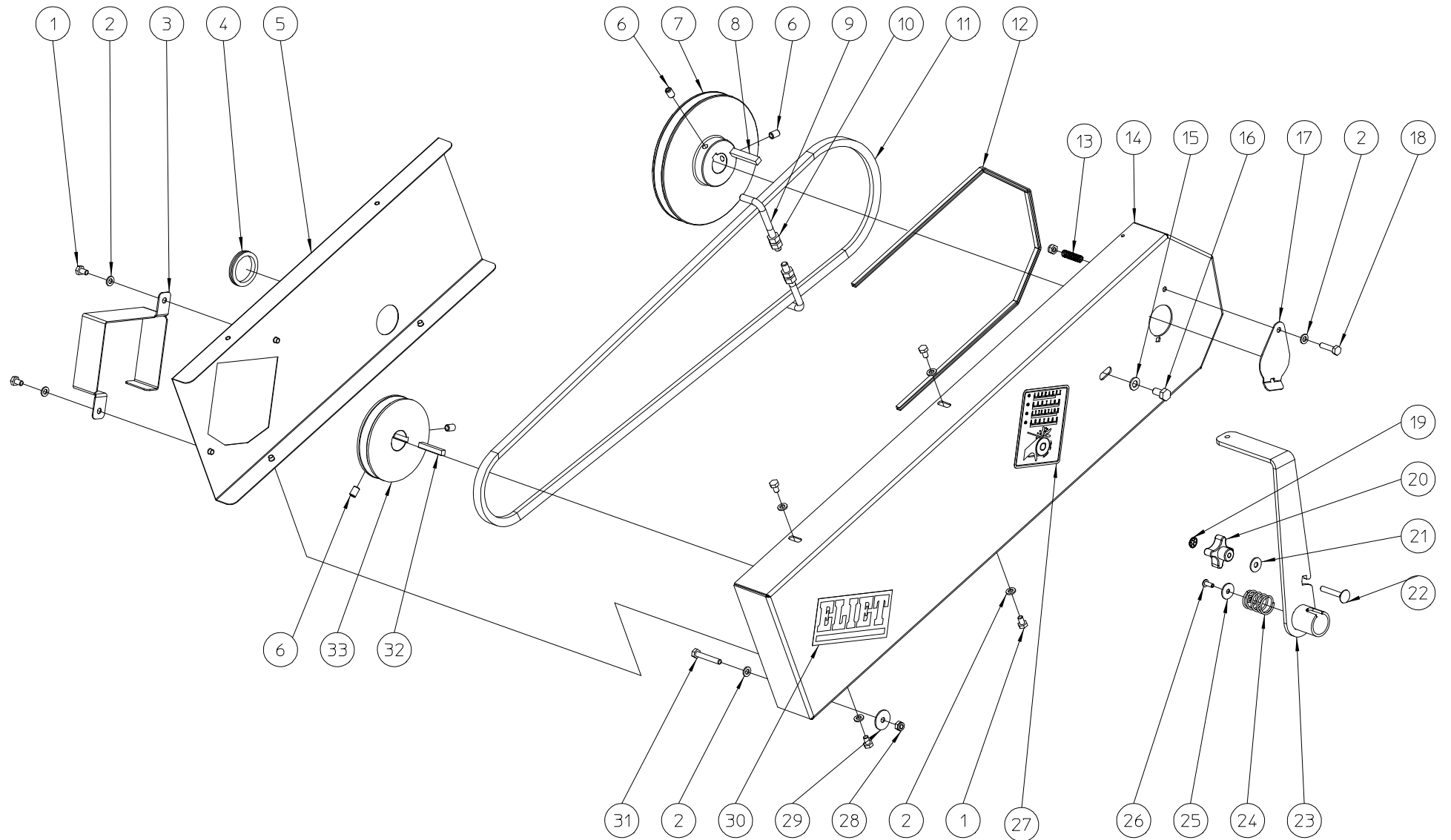
#	Order nr	article description	quantity
1	MPA 01 041 090	closing rotor major 4s	1
2	BS 531 000 800	washer m8 din 125	15
3	BS 512 000 812	bolt m8x12 din 933	1
4	BS 502 001 000	self locking nut m10 din 985	2
5	BS 531 001 000	washer m10 din 125	4
6	BN 630 510 480	lob knob Ø60mm - m10x80	1
7	MPA 01 041 100	cover for safety switch mi/ma 4s	1
8	BS 512 000 612	bolt m6x12 din 933	1
9	MPA 01 041 030	chassis major 4s	1
10	BS 502 000 800	self locking nut m8 din 985	11
11	MPA 01 041 240	directional valves blow chute major 4s	1
12	BN 630 808 400	lob knob 188-40 m8	1
13	BS 522 500 816	screw m8x16 iso 7380	2
14	BR 112 080 300	nylon bushing with collar (8.2/10.9/18x3.5/1.5)	2
15	BS 554 100 820	bolt m8x20 din 603	6
16	MPA 01 041 080	blow chute major 4s	1
17	BS 512 000 614	bolt m6x14 din 933	3
18	BS 534 000 600	lock washer m6 din 6798a	3
19	BS 531 000 600	washer m6 din 125	6
20	BS 512 000 816	bolt m8x16 din 933	2
21	BS 533 000 800	lock washer m8 din 127b	2
22	MPA 01 041 040	turbine housing major 4s	1
23	MPA 01 041 230	protection blow chute major 4s	1
24	BB 221 104 100	pop plug alu 3.9x10 din 7337 a	10
25	BS 512 000 610	bolt m6x10 din 933	2
26	MPA 01 010 290	front plate gx270	1
27	BS 512 001 048	bolt m10x80 din 933	2
28	BS 511 001 042	bolt m10x50 din 931	1
29	BB 011 000 200	starlock 20mm	2
30	BW 040 020 000	wheel 4.80-4	2
31	MPA 01 041 050	foot major 4s	1
32	BR 900 000 110	rubber socks dia 90x18mm	2
33	BS 512 000 840	bolt m8x40 din 933	4
34	BS 532 008 356	washer m8x35x3	4
35	BM 202 109 000	honda gx 270	1
36	BS 501 001 000	nut m10 din 934	2
37	BR 021 150 250	cap pvc black 50x25	2
38	MPA 01 041 250	wheel shaft major 4s	1
39	BS 531 002 000	washer m20 din 125	2



ELIET MAJOR 4S -- ROTOR

NO	MMA 01 041 130	REV	1	DATE	2016/03/08
----	----------------	-----	---	------	------------

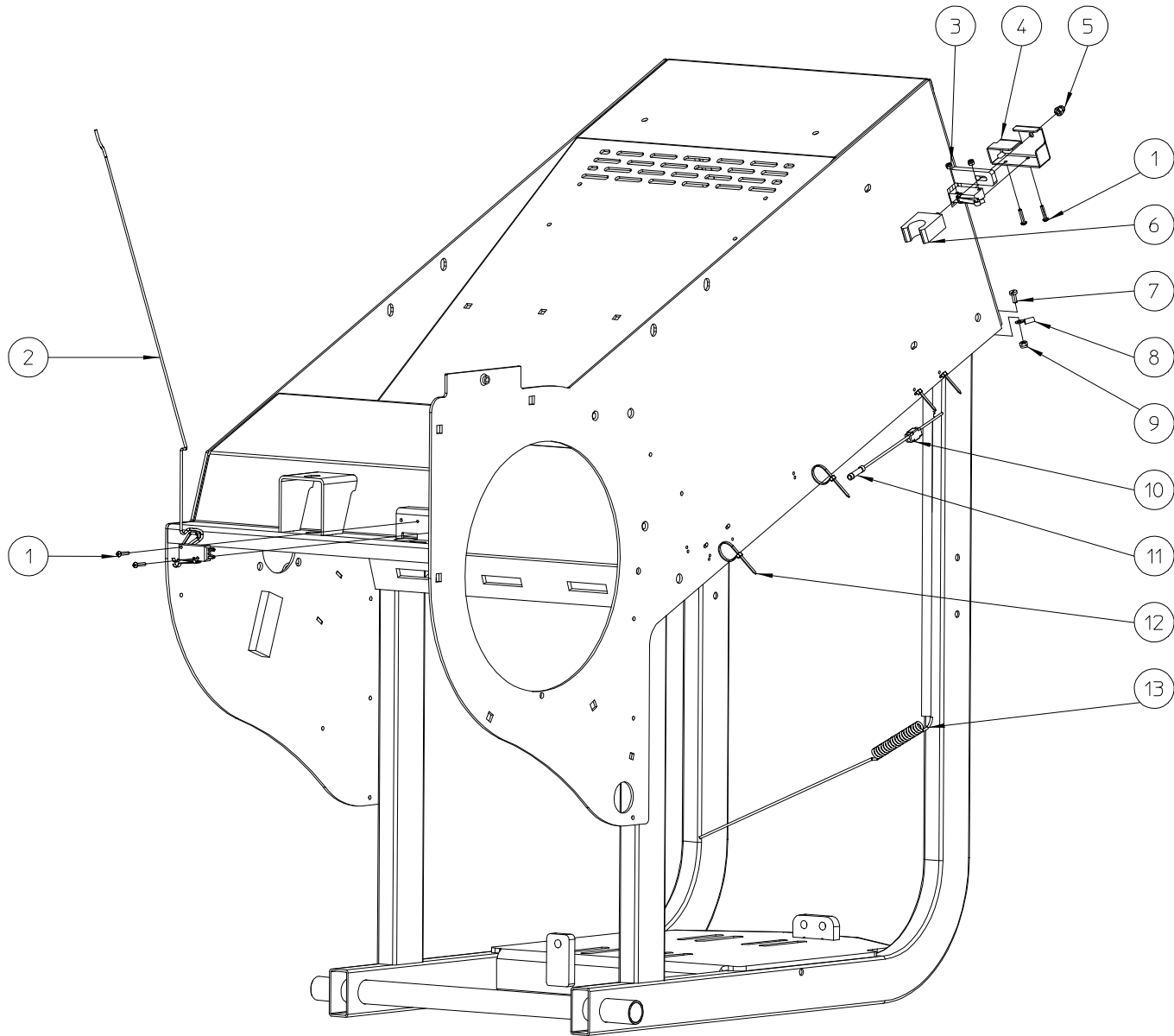
#	Order nr	article description	quantity
1	BS 512 000 820	bolt m8x20 din 933	3
2	BS 531 000 800	washer m8 din 125	9
3	BL 801 502 500	bearing + flanges aspf 205	2
4	MPA 01 041 270	bearing protection cover pf205	1
5	BS 502 000 800	self locking nut m8 din 985	6
6	MPA 01 041 060	rotor major 4s	1
7	BB 351 080 760	key 8x7x60 din 6885a	1
8	MPA 01 041 070	propeller major 4s	1
9	BS 023 000 810	set screw m8x10 din 916	2
10	BS 554 100 820	bolt m8x20 din 603	3
11	MPA 01 041 260	bearing protection cover pf205 + shaft	1
12	BU 401 200 302	set of knives (20)	1
13	BS 011 000 822	bolt m8x22 din 931	0



ELIET MAJOR 4S --- TRANSMISSION

NO	MMA 01 041 140	REV	2	DATE	2014/01/24
----	----------------	-----	---	------	------------

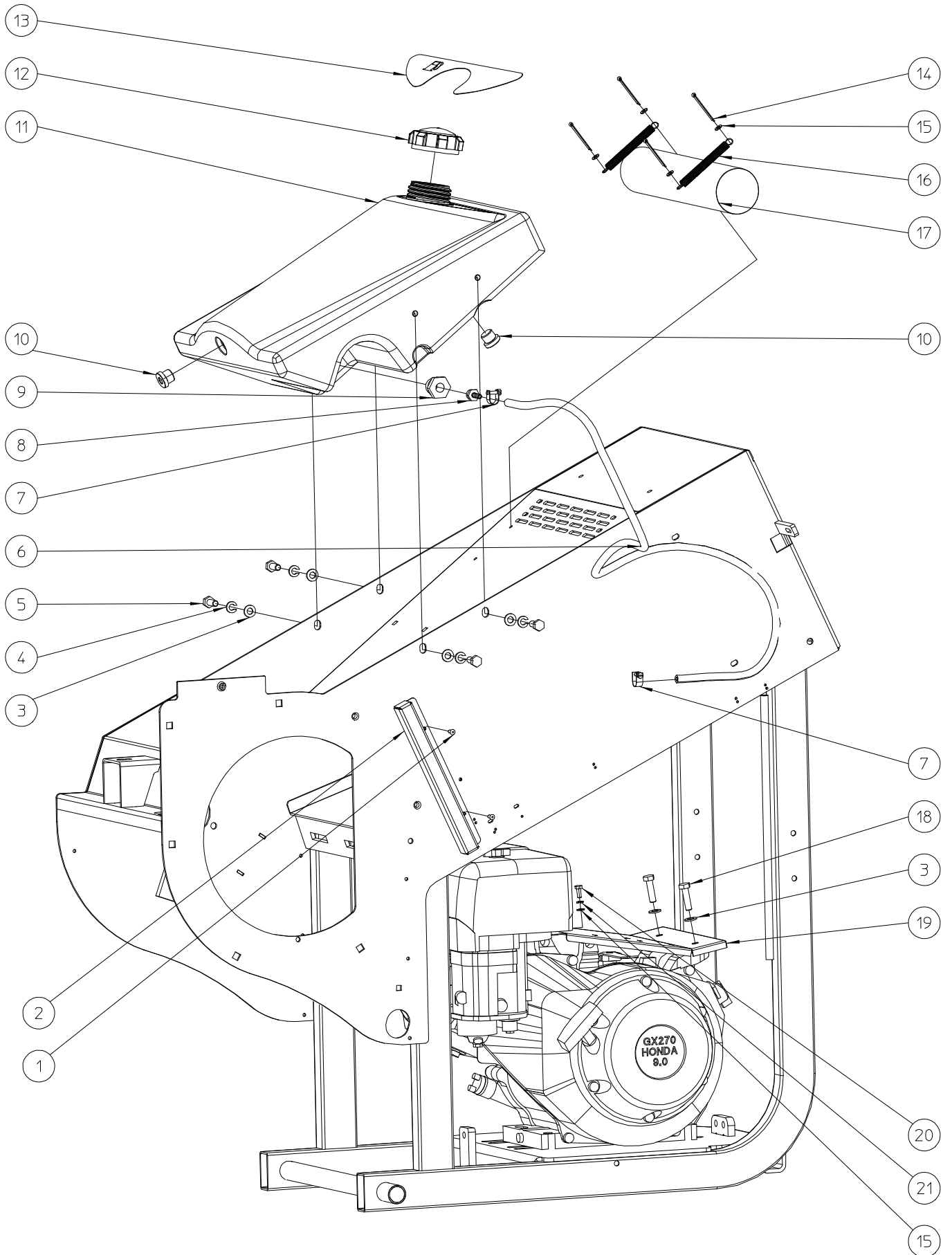
#	Order nr	article description	quantity
1	BS 512 000 610	bolt m6x10 din 933	6
2	BS 531 000 600	washer m6 din 125	8
3	MPA 01 010 170	protection engine shaft	1
4	BR 500 103 800	rubber plug 42x38x1.6	1
5	MPA 01 030 120	transmission guard (inside)	1
6	BS 023 000 812	set screw m8x12 din 916	4
7	BA 565 716 001	pulley spa 160x25x8 (rotor)	1
8	BB 341 080 745	key 8x7x45 din 6880	1
9	MPA 01 010 180	belt catcher	2
10	BS 501 000 800	nut m8 din 934	4
11	BA 521 216 000	belt xpa 1600	1
12	BR 000 910 600	rubber u-moulding 600mm	1
13	BV 904 000 010	compression spring Ø8.5x30mm fil Ø1mm	1
14	MPA 01 041 120	transmission guard mi/ma 4s	1
15	BS 531 000 800	washer m8 din 125	1
16	BS 512 000 816	bolt m8x16 din 933	1
17	MPA 01 041 210	flap mi/ma 4s	1
18	BS 512 000 625	bolt m6x25 din 933	1
19	BB 011 000 050	starlock 5mm	1
20	BN 630 206 000	lob knob 188-40 m6	1
21	BS 532 006 183	washer m6x18x1.5	1
22	BS 554 100 640	bolt m6x40 din 603	1
23	MPA 01 041 140	lever to unblock mi/ma 4s	1
24	BV 904 000 020	compression spring lever h.32 dia e.24 galvanized nt.6	1
25	BS 532 005 202	washer m5x20x1.5	1
26	BB 221 005 120	pop plug steel 4.8x12 din 7337 a	1
27	BQ 505 010 130	safety sticker 100x80 (belt transmission)	1
28	BS 502 000 600	self locking nut m6 din 985	2
29	BS 532 006 253	washer m6x25x1.5	1
30	BQ 501 010 020	sticker eliet 130x60	1
31	BS 512 000 640	bolt m6x40 din 933	1
32	BB 342 060 640	key 6.35x6.35x40 din 6880	1
33	BA 565 710 004	pulley spa 100x25.4x6.4 (engine)	1



ELIET MAJOR 4S -- ELECTRICAL SYSTEM

NO	MMA 01 041 150	REV	1	DATE	2014/01/24
----	----------------	-----	---	------	------------

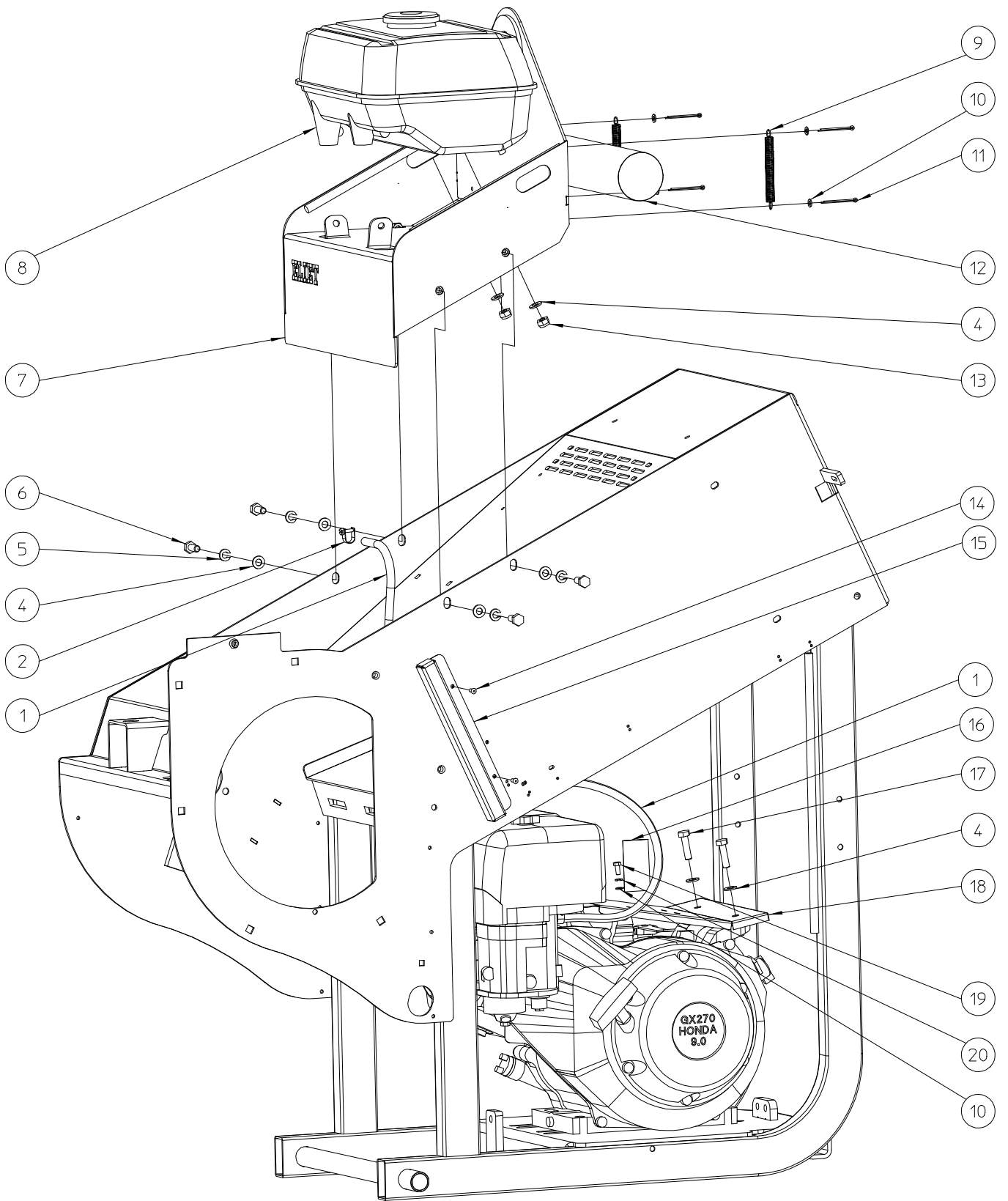
#	Order nr	article description	quantity
1	BS 522 500 316	screw m3x16 iso 7380	4
2	BE 120 010 500	safety switch	2
3	BS 502 000 300	self locking nut m3 din 985	2
4	MPA 01 010 200	cover for safety switch	1
5	BS 505 500 500	nut m5 din 1587	1
6	BT 654 001 901	clam 19mm	1
7	BS 541 000 410	screw m4x10 din 84	1
8	BE 031 013 000	eyed terminal m6	1
9	BS 502 000 400	self locking nut m4 din 985	1
10	BE 031 034 201	blue wire connector 2.5mm	1
11	BE 031 013 400	cable connexion red	1
12	BE 043 010 100	wrap tie 100x2.5	4
13	BE 090 231 141	red wire 1.5 ce 114	1



ELIET MAJOR 4S -- RENTAL KIT

NO	MMA 01 041 160	REV	2	DATE	2014/02/25
----	----------------	-----	---	------	------------

#	Order nr	article description	quantity
1	BB 221 104 100	pop plug alu 3.9x10 din 7337 a	2
2	MPA 01 041 290	protection petrol pipe	1
3	BS 531 000 800	washer m8 din 125	6
4	BS 533 000 800	lock washer m8 din 127b	4
5	BS 512 000 820	bolt m8x20 din 933	4
6	BR 202 005 100	fuel hose 5.5x1000mm	1
7	BT 670 109 110	hose clamp 9x11mm	2
8	BT 136 260 406	end piece 1/4" - 6mm	1
9	BH 514 100 804	reduction stud (m-f) 1/2"-1/4"	1
10	BH 518 500 600	blanking plug 3/8"	2
11	BY 717 210 014	plastic tank	1
12	BH 720 505 585	cap for tank	1
13	BQ 501 300 020	sticker petrol reservoir	1
14	BB 135 050 401	split pins Ø 3,2x40 din 94	4
15	BS 531 000 500	washer m5 din 125	5
16	BV 011 010 010	spring 1.0x10x100	2
17	BQ 051 320 550	manual casing 320mm	1
18	BS 512 000 830	bolt m8x30 din 933	2
19	MPA 01 040 580	protection plate engine	1
20	BS 512 000 512	bolt m5x12 din 933	1
21	BS 533 000 500	lock washer m5 din 127b	1



ELIET MAJOR 4S -- METAL TANK RENTAL KIT

NO	MMA 01 041 170	REV	2	DATE	2014/01/24
----	----------------	-----	---	------	------------

#	Order nr	article description	quantity
1	BR 202 005 110	fuel hose 5.5x1100mm	1
2	BT 670 109 110	hose clamp 9x11mm	2
4	BS 531 000 800	washer m8 din 125	10
5	BS 533 000 800	lock washer m8 din 127b	4
6	BS 512 000 820	bolt m8x20 din 933	4
7	MPA 01 041 200	petrol reservoir support	1
8	BM 202 109 000	honda gx 270	1
9	BV 011 010 010	spring 1.0x10x100	2
10	BS 531 000 500	washer m5 din 125	5
11	BB 135 050 401	split pins Ø 3,2x40 din 94	4
12	BQ 051 320 550	manual casing 320mm	1
13	BS 502 000 800	self locking nut m8 din 985	4
14	BB 221 104 100	pop plug alu 3.9x10 din 7337 a	2
15	MPA 01 041 290	protection petrol pipe	1
16	BQ 505 010 391	safety stop sticker 135x75mm	1
17	BS 512 000 830	bolt m8x30 din 933	2
18	MPA 01 040 580	protection plate engine	1
19	BS 512 000 512	bolt m5x12 din 933	1
20	BS 533 000 500	lock washer m5 din 127b	1